



**WEISER
SOLUTIONS**

**Product Catalog
2021**





TABLE OF CONTENTS

▶ LOCKS	4
Handcuff-lock	4
Handcuff-lock insert	4
Clasp-lock	4
Clasp-lock insert	4
▶ UNIVERSAL WEAPON MOUNTS	5
Overview	5
Single Clasp-lock Weapon Mount WEI-001	6
Dual Clasp-lock Weapon Mount WEI-002	7
Single Handcuff-lock Weapon Mount WEI-003	8
Dual Handcuff-lock Weapon Mount WEI-004	9
Handcuff-lock & Clasp-lock Weapon Mount WEI-005	10
▶ HEADREST WEAPON MOUNTS	11
Overview	11
Single Clasp-lock Headrest Mount WEI-001-HR	12
Single Handcuff-lock Headrest Mount WEI-003-HR	13
Dual Handcuff-lock Headrest Mount WEI-004-HR	14
Handcuff-lock & Clasp-lock Headrest Mount WEI-005-HR	15
▶ FREE STANDING BASE MODELS	16
Chevrolet Tahoe Free-Standing Mount WEI-FST-1 / WEI-FST-2	16
Dodge Charger Free-Standing Mount WEI-FSC-1	16
Police Interceptor Utility Free-Standing Mount WEI-FSPIU-1	16
Dodge Ram 1500 Free-Standing Mount WEI-FSDR-1	16
Ford F-150 Free-Standing Mount WEI-FSF150-1	16
Dodge Durango Free-Standing Mount WEI-FSDD-1	16
▶ ALTERNATIVE WEAPON MOUNTS	17
Horizontal Clasp-Lock Weapon Mount WEI-401	17
Horizontal Handcuff-Lock Weapon Mount WEI-403	17
▶ TRIGGER GUARD	18
Trigger Guard WEI-TRGRD-1	18



LOCKS

- ▶ All locks can be unlocked with a manual key override
 - The standard override is the handcuff key, but other options are listed below
- ▶ All locks can be wired to a momentary switch and requires 12V power

Handcuff-lock

Part number:
WEI-L-H



- ▶ Accommodates for firearm attachments.
- ▶ Adjustability in the locking diameter allows the handcuff lock to lock around virtually any part of virtually any weapon.
- ▶ **Locking Diameters:**
 - Minimum Distance: 1.51"
 - Maximum Distance: 3.11"
- ▶ **Compatible with:** patrol rifles, pump shotguns, semi-auto shotguns, and other specialty firearms.

Insert for Handcuff-lock

Part Number:
WEI-HL-INS



- ▶ The rubberized buffer tube insert for the handcuff lock is essential when securing around the barrel or buffer tube of the firearm
- ▶ **Locking Diameter:**
 - Distance: .6"
- ▶ Easy installation to handcuff-lock

Clasp-lock

Part number:
WEI-L-C



- ▶ Reliable and fits most standard pump shotguns.
- ▶ Shielded mounting plate adds additional security against magnetized burglary tools.
- ▶ No exposed screw heads, rather, all lock-to-plate screws are concealed inside the lock to prevent dissembling by burglar.
- ▶ **Compatible with:** Most pump shotguns.

Insert for Clasp-lock

Part Number:
WEI-CL-INS



- ▶ This insert converts the clasp-lock into a "barrel-lock" that effectively secures around smaller areas of the firearm like the muzzle.
- ▶ Removeable and rubberized.
- ▶ Tight fit so there is no fear of the insert coming out of the lock when you remove your firearm.
- ▶ **Compatible with:** Most patrol rifles, pump shotguns, semi-auto shotguns, and other specialty firearms.

Manual Override Options:

- ▶ Key types available for manual override
- ▶ #2 – the standard law enforcement flat key (cannot be copied with conventional methods)
- ▶ #H – handcuff key version (no handcuff key supplied with the gun lock)
- ▶ #CA – a more secure optional tubular/barrel type of key
- ▶ #3 – optional super secure key
- ▶ #X – optional individually cut all different super secure key



UNIVERSAL WEAPON MOUNTS

Our mission is to offer a one-size-fits-all weapon mounting option while always prioritizing quality, design, and customer service.



ADJUSTABLE



All of our weapon mounts use a T-rail aluminum backbone that allows adjustability of all brackets. Simply loosen the screws of the bracket that you would like to move, adjust it to your preferred height, and then re-tighten the screws. The rails in the backbone are not bracket specific – meaning you can customize the configuration of your weapon mount to your needs.



VERSATILE



Our standard weapon mounts are not vehicle or location specific. Our mounting brackets are designed to work with almost all major industry full-partitions and other law enforcement vehicle equipment to allow for a multitude of mounting locations throughout the vehicle.



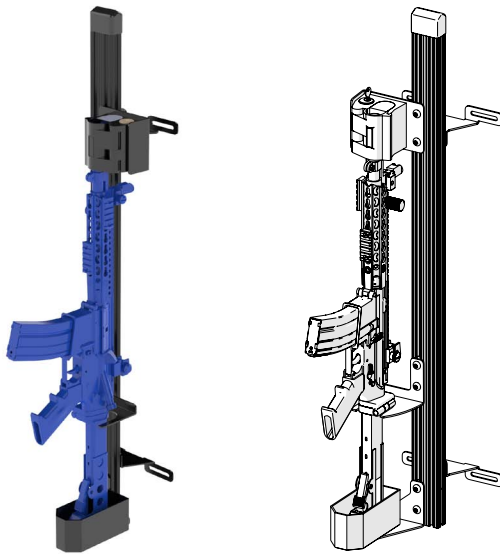
DURABLE



The standard weapon mount is made of carbon steel components and 6105-T5 grade aluminum. These parts are painted with chip resistant and rust proof coating and our steel parts are all cut with nitrogen to ensure that the paint sticks properly and does not chip over time. All components that touch the firearm have a rubberized coating to prevent rattle.



UNIVERSAL WEAPON MOUNTS



Single Clasp-lock Weapon Mount

Model number: WEI-001

Specifications:

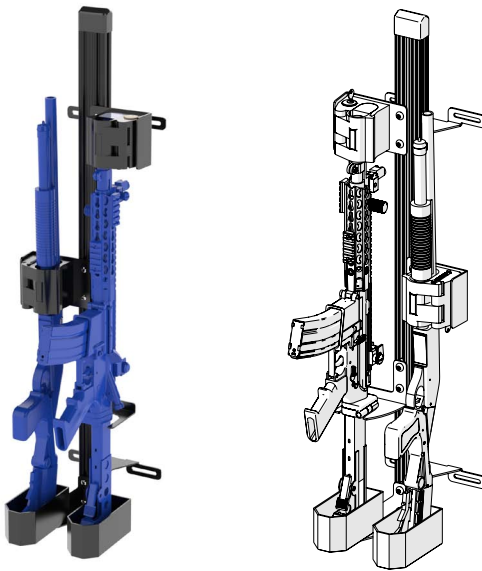
- | | | | |
|-------------------------|-----------------------------|--------------------|-------------------------|
| ▶ Configuration: | Single | ▶ Secures: | Patrol rifle or shotgun |
| ▶ Lock: | Clasp-lock with insert (1x) | ▶ Backbone: | 6-channel, 36" |

Features:

- | | |
|---|---|
| ▶ Rust proof and chip resistant coating on all components | ▶ Snap-In Channel Strip hides wire for added protection |
| ▶ Full adjustability of brackets to allow best fit for all weapons and attachments | ▶ Clasp-lock comes mounted on plate with thick steel wall for added protection from theft |
| ▶ Can be mounted in virtually any vehicle | ▶ Clasp-lock secures shotgun without insert and assault rifles with insert |
| ▶ Multiple mounting locations | ▶ Plug-And-Play functionality to let you decide the best configuration for your needs |
| ▶ Can be wired up to a push button momentary switch and timer for quick access (Requires 12V power) | |



UNIVERSAL WEAPON MOUNTS



Dual Clasp-lock Weapon Mount

Model number: WEI-002

Specifications:

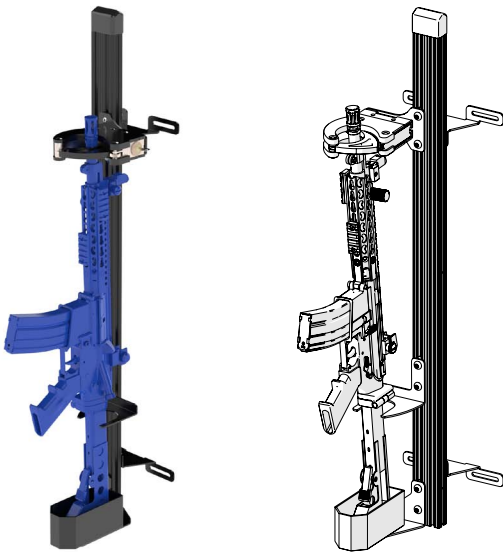
- | | | | |
|-------------------------|---|--------------------|-------------------------------|
| ▶ Configuration: | Dual | ▶ Secures: | Patrol rifles and/or shotguns |
| ▶ Lock: | Clasp-lock with insert (1x) and
Clasp-lock without insert (1x) | ▶ Backbone: | 6-channel, 36" |

Features:

- | | |
|---|---|
| ▶ Rust proof and chip resistant coating on all components | ▶ Snap-In Channel Strip hides wire for added protection |
| ▶ Full adjustability of brackets to allow best fit for all weapons and attachments | ▶ Clasp-lock comes mounted on plate with thick steel wall for added protection from theft |
| ▶ Can be mounted in virtually any vehicle | ▶ Clasp-lock secures shotgun without insert and assault rifles with insert |
| ▶ Multiple mounting locations | ▶ Plug-And-Play functionality to let you decide the best configuration for your needs |
| ▶ Can be wired up to a push button momentary switch and timer for quick access (Requires 12V power) | |



UNIVERSAL WEAPON MOUNTS



Single Handcuff-lock Weapon Mount

Model number: WEI-003

Specifications:

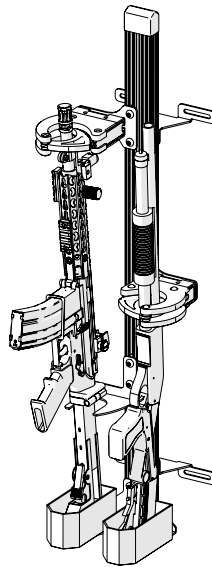
- ▶ **Configuration:** Single
- ▶ **Lock:** Handcuff-lock (1x)
- ▶ **Secures:** Patrol rifle or shotgun
- ▶ **Backbone:** 6-channel, 36"

Features:

- ▶ Rust proof and chip resistant coating on all components
- ▶ Full adjustability of brackets to allow best fit for all weapons and attachments
- ▶ Can be mounted in virtually any vehicle
- ▶ Multiple mounting locations
- ▶ Can be wired up to a push button momentary switch and timer for quick access (Requires 12V power)
- ▶ Snap-In Channel Strip hides wire for added protection
- ▶ Plug-And-Play functionality to let you decide the best configuration for your needs



UNIVERSAL WEAPON MOUNTS



Dual Handcuff-lock Weapon Mount

Model number: WEI-004

Specifications:

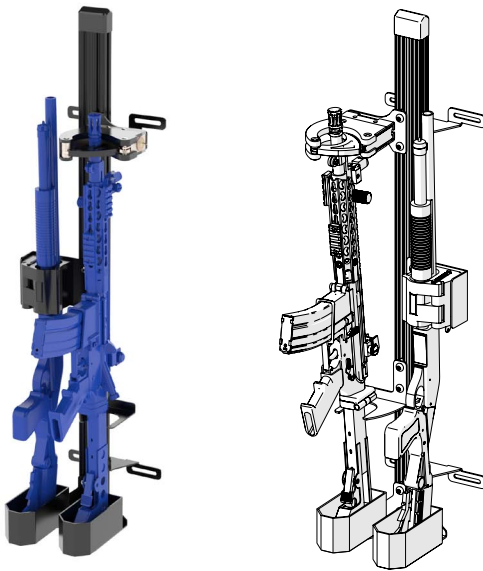
- ▶ **Configuration:** Dual
- ▶ **Lock:** Handcuff-locks (2x)
- ▶ **Secures:** Patrol rifles and/or shotguns
- ▶ **Backbone:** 6-channel, 36"

Features:

- ▶ Rust proof and chip resistant coating on all components
- ▶ Full adjustability of brackets to allow best fit for all weapons and attachments
- ▶ Can be mounted in virtually any vehicle
- ▶ Multiple mounting locations
- ▶ Can be wired up to a push button momentary switch and timer for quick access (Requires 12V power)
- ▶ Snap-In Channel Strip hides wire for added protection
- ▶ Plug-And-Play functionality to let you decide the best configuration for your needs



UNIVERSAL WEAPON MOUNTS



Handcuff-lock & Clasp-lock Weapon Mount

Model number: WEI-005

Specifications:

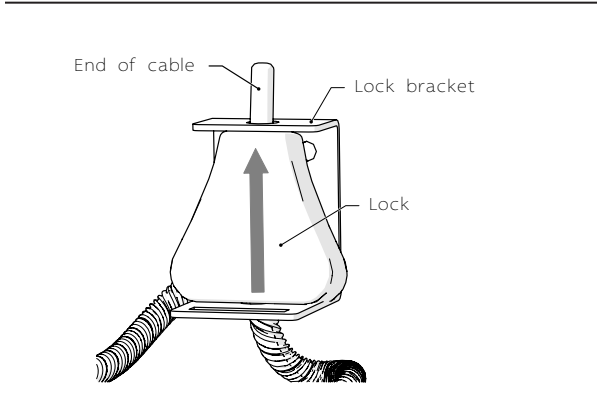
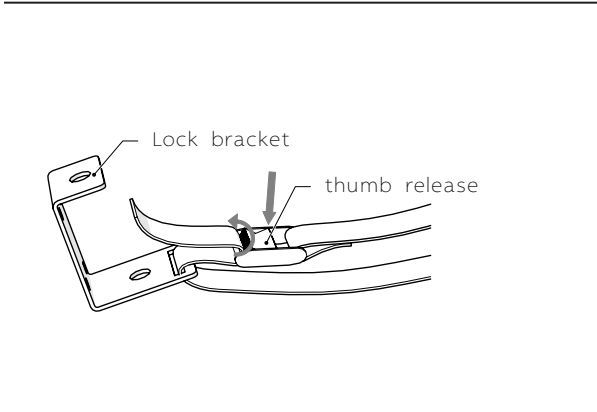
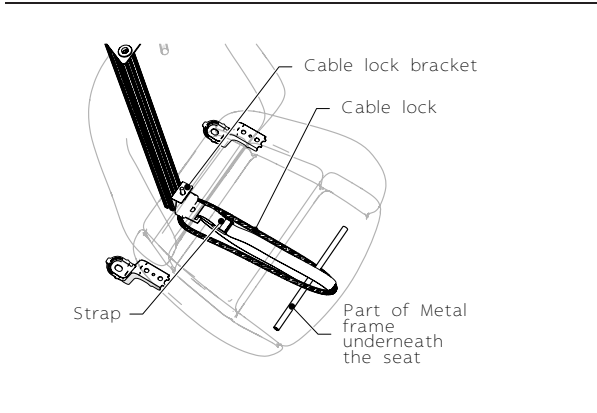
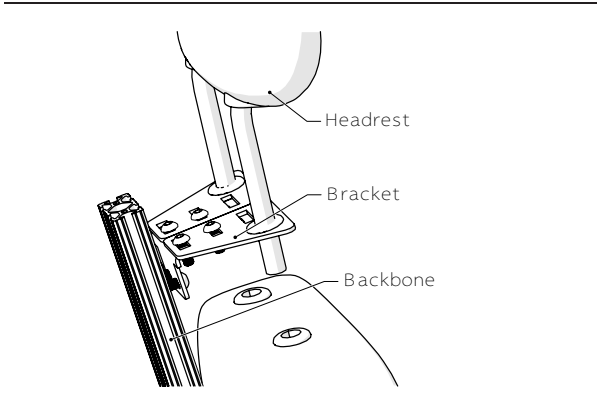
- ▶ **Configuration:** Dual
- ▶ **Lock:** Handcuff-lock (1x) and Clasp-lock without insert (1x)
- ▶ **Secures:**
- ▶ **Backbone:** 6-channel, 36"

Features:

- ▶ Rust proof and chip resistant coating on all components
- ▶ Full adjustability of brackets to allow best fit for all weapons and attachments
- ▶ Can be mounted in virtually any vehicle
- ▶ Multiple mounting locations
- ▶ Can be wired up to a push button momentary switch and timer for quick access (Requires 12V power)
- ▶ Snap-In Channel Strip hides wire for added protection
- ▶ Clasp-lock comes mounted on plate with thick steel wall for added protection from theft
- ▶ Clasp-lock secures shotgun without insert and assault rifles with insert
- ▶ Plug-And-Play functionality to let you decide the best configuration for your needs



HEADREST WEAPON MOUNTS



Features:

- ▶ Weapon mount that utilizes the dead space on the back of either the driver or passenger seat for non-partitioned vehicles.
- ▶ Available in single or dual configurations
- ▶ Does not prevent the ability to adjust the seat forwards or backward
- ▶ Adjustable and customizable brackets to allow you to determine how you would like the weapon mount to be configured
- ▶ Durable and long lasting: the backbone is 6105-T5 grade aluminum with a black anodized coating and parts are comprised of steel with black powder coating

Installation: Mounts to the seat in three different locations:

HEADREST

- ▶ Headrest bracket is adjustable to accommodate different headrest types and sizes
- ▶ Max Width: 6.5"
- ▶ Max Length: 4.5"

UNDERNEATH SEAT WITH METAL CAM-STRAP

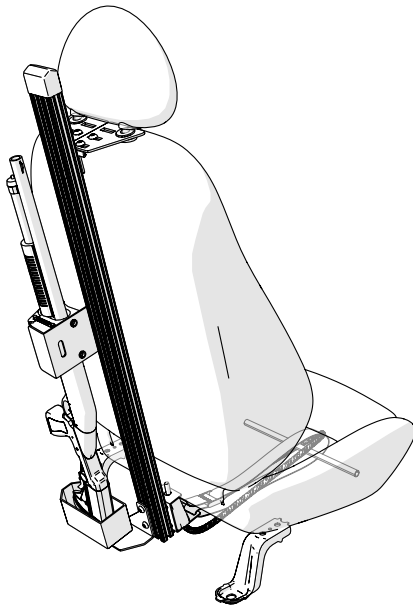
- ▶ Made of Heavyweight Polypropylene Webbing that has a maximum workload strength of 900lbs

UNDERNEATH SEAT WITH LOCKING CABLE

- ▶ Prevents burglar from simply taking the headrest off and removing the mount
- ▶ Braided steel for strength and flexibility



HEADREST WEAPON MOUNTS



Single Clasp-lock Headrest Mount

Model number: WEI-001-HR

Specifications:

- ▶ **Configuration:** Single
- ▶ **Lock:** Clasp-lock without insert (1x)
- ▶ **Secures:** Shotgun
- ▶ **Backbone:** 6-channel, 28"

Features:

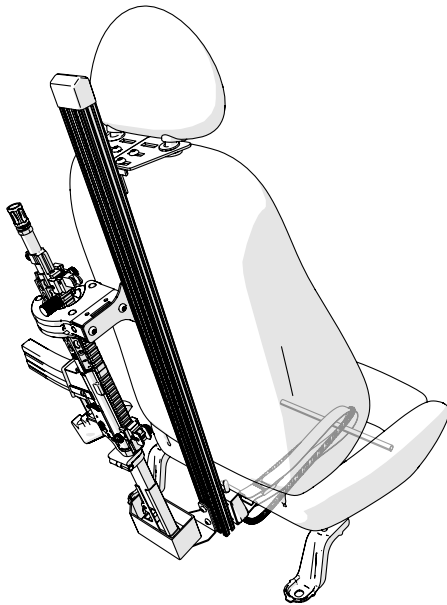
- ▶ Rust proof and chip resistant coating on all components
- ▶ Full adjustability of brackets to allow best fit for firearm
- ▶ Can be mounted in virtually any vehicle
- ▶ Can be wired up to a push button momentary switch and timer for quick access (Requires 12V power)
- ▶ No drilling required for installation
- ▶ Plug-And-Play functionality to let you decide the best configuration for your needs

Optional:

- ▶ Standard hardware can be swapped for our snake-eyed security screws for added protection against theft
- ▶ Five different manual key override options (standard is handcuff key override unless otherwise specified)
- ▶ Add-on components can be included for additional security and protection



HEADREST WEAPON MOUNTS



Single Handcuff-lock Headrest Mount

Model number: WEI-003-HR

Specifications:

- ▶ **Configuration:** Single
- ▶ **Lock:** Handcuff-lock
- ▶ **Secures:** Patrol rifle or shotgun
- ▶ **Backbone:** 6-channel, 28"

Features:

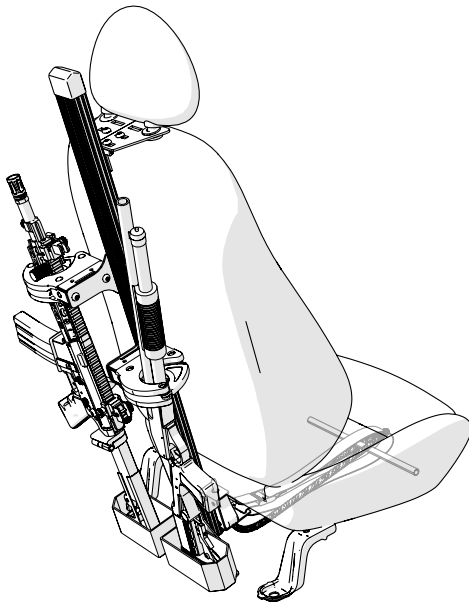
- ▶ Rust proof and chip resistant coating on all components
- ▶ Full adjustability of brackets to allow best fit for firearm
- ▶ Can be mounted in virtually any vehicle
- ▶ Can be wired up to a push button momentary switch and timer for quick access (Requires 12V power)
- ▶ No drilling required for installation
- ▶ Plug-And-Play functionality to let you decide the best configuration for your needs

Optional:

- ▶ Standard hardware can be swapped for our snake-eyed security screws for added protection against theft
- ▶ Five different manual key override options (standard is handcuff key override unless otherwise specified)
- ▶ Add-on components can be included for additional security and protection



HEADREST WEAPON MOUNTS



Dual Handcuff-lock Headrest Mount

Model number: WEI-004-HR

Specifications:

- ▶ **Configuration:** Dual
- ▶ **Lock:** Handcuff-locks (2x)
- ▶ **Secures:** Patrol rifle(s) and/or shotgun(s)
- ▶ **Backbone:** 6-channel, 28"

Features:

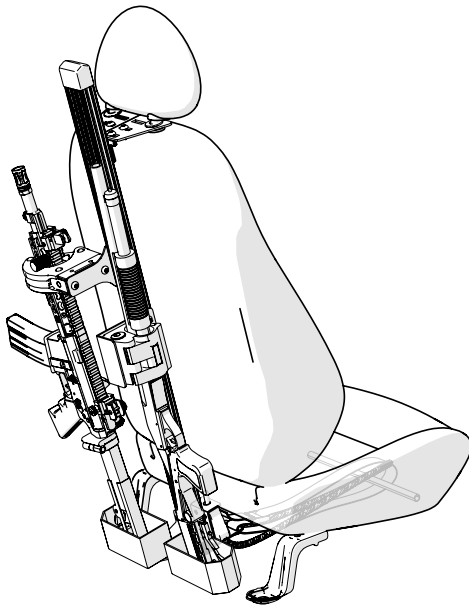
- ▶ Rust proof and chip resistant coating on all components
- ▶ Full adjustability of brackets to allow best fit for firearm
- ▶ Can be mounted in virtually any vehicle
- ▶ Can be wired up to a push button momentary switch and timer for quick access (Requires 12V power)
- ▶ No drilling required for installation
- ▶ Plug-And-Play functionality to let you decide the best configuration for your needs

Optional:

- ▶ Standard hardware can be swapped for our snake-eyed security screws for added protection against theft
- ▶ Five different manual key override options (standard is handcuff key override unless otherwise specified)
- ▶ Add-on components can be included for additional security and protection



HEADREST WEAPON MOUNTS



Handcuff-lock & Clasp-lock Headrest Mount

Model number: WEI-005-HR

Specifications:

- ▶ **Configuration:** Dual
- ▶ **Lock:** Handcuff-lock (1x) and Clasp-lock without insert (1x)
- ▶ **Secures:** Patrol rifle and shotgun
- ▶ **Backbone:** 6-channel, 28"

Features:

- ▶ Rust proof and chip resistant coating on all components
- ▶ Full adjustability of brackets to allow best fit for firearm
- ▶ Can be mounted in virtually any vehicle
- ▶ Can be wired up to a push button momentary switch and timer for quick access (Requires 12V power)
- ▶ No drilling required for installation
- ▶ Plug-And-Play functionality to let you decide the best configuration for your needs

Optional:

- ▶ Standard hardware can be swapped for our snake-eyed security screws for added protection against theft
- ▶ Five different manual key override options (standard is handcuff key override unless otherwise specified)
- ▶ Add-on components can be included for additional security and protection

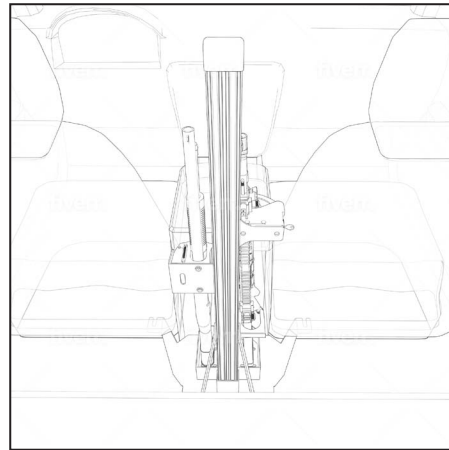
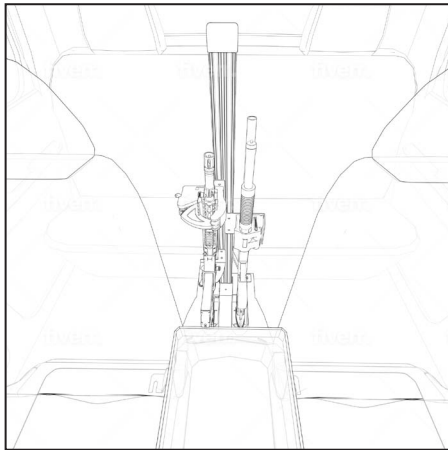


FREE STANDING WEAPON MOUNTS

For vehicles without partitions, we offer weapon mounts that rest on a thick steel powder-coated base right behind the console between the driver and passenger seats. These bases are vehicle specific and will work with any of our standard weapon mounts. We offer free-standing bases for a variety of Chevrolet, Ford, and Dodge manufactured vehicles.

Installing these bases requires no drilling and utilizes the inner-rear bolts of the driver and passenger seats and other already existing bolts within the vehicle.

Works with the WEI-001, WEI-002, WEI-003, WEI-004, and the WEI-005.



Chevrolet Tahoe Free-Standing Mount

Part number:

- ▶ WEI-FST-1 (2015-2020)
- ▶ WEI-FST-2 (2021)

Dodge Ram 1500 Free-Standing Mount

Part number:

- ▶ WEI-FSDR-1 (2019-2021)
- Fits in extended cab or crew cab

Dodge Charger Free-Standing Mount

Part number:

- ▶ WEI-FSC-1 (2012-2021)

Ford F-150 Free-Standing Mount

Part number:

- ▶ WEI-FSF150-1 (2015-2021)

Police Interceptor Utility Free-Standing Mount

Part number:

- ▶ WEI-FSPIU-1 (2020-2021)

Dodge Durango Free-Standing Mount

Part number:

- ▶ WEI-FSDD-1 (2014-2021)



ALTERNATIVE WEAPON MOUNTS

Horizontal Clasp-Lock Weapon Mount

Part number: WEI-401

- ▶ Same as the WEI-001, but with a slimmer backbone design (4-channel backbone) and an angled buttstock plate



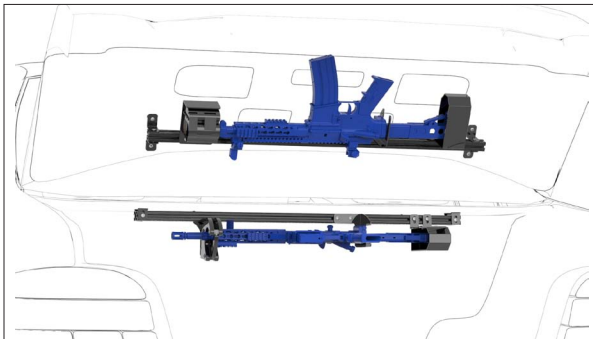
Horizontal Handcuff-Lock Weapon Mount

Part number: WEI-403

- ▶ Same as the WEI-003, but with a slimmer backbone design (4-channel backbone) and an angled buttstock plate



Mounted Horizontally on K9 Cage



Mounted Horizontally on K9 Cage

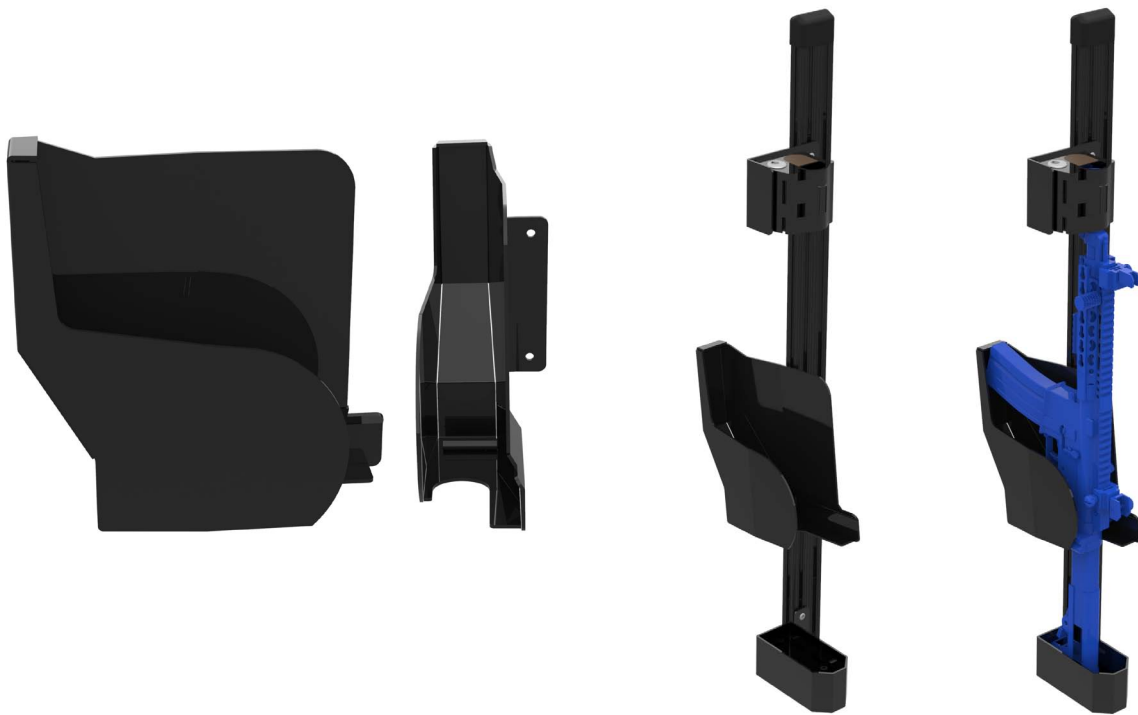


The WEI-401 and WEI-403 weapon mounts are the same as the WEI-001 and WEI-003, but there are just a few small differences which includes:

- ▶ The 4-channel backbone vs our traditional 6-channel backbone which optimizes space but still provides durability.
- ▶ The buttstock plate is angled at 90 degrees to optimize for space and firearm alignment. The buttstock plate is still adjustable.
- ▶ An additional set of mounting brackets is included (3 different sets of mounting brackets total).



TRIGGER GUARD



Trigger Guard

Part number: WEI-TRGRD-1

High security weapon guard. Protects access to the takedown pins to prevent the weapon from being disassembled. Made of thick carbon steel with a black powder coating and rubber trim.

This is an add-on component and will work with any single or dual weapon mount.





WEISER SOLUTIONS

877-736-3763

help@thinkweiser.com | www.thinkweiser.com

Rogers, Arkansas, United States