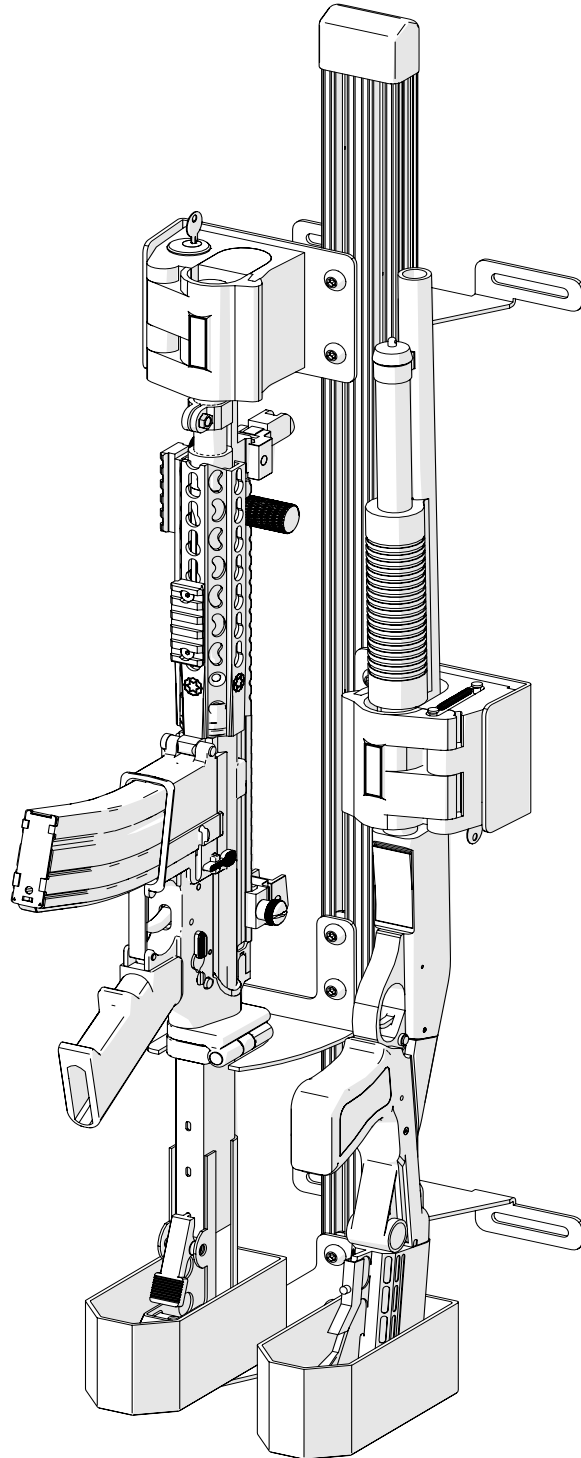




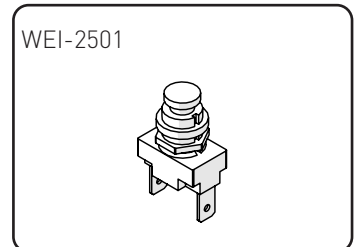
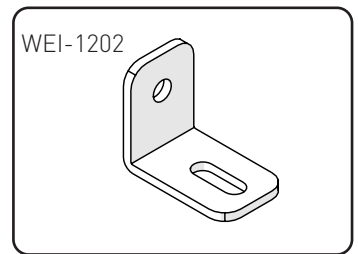
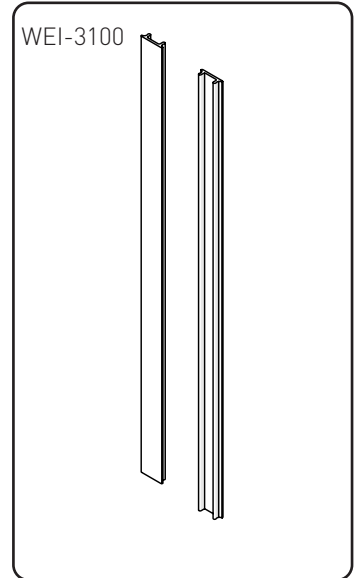
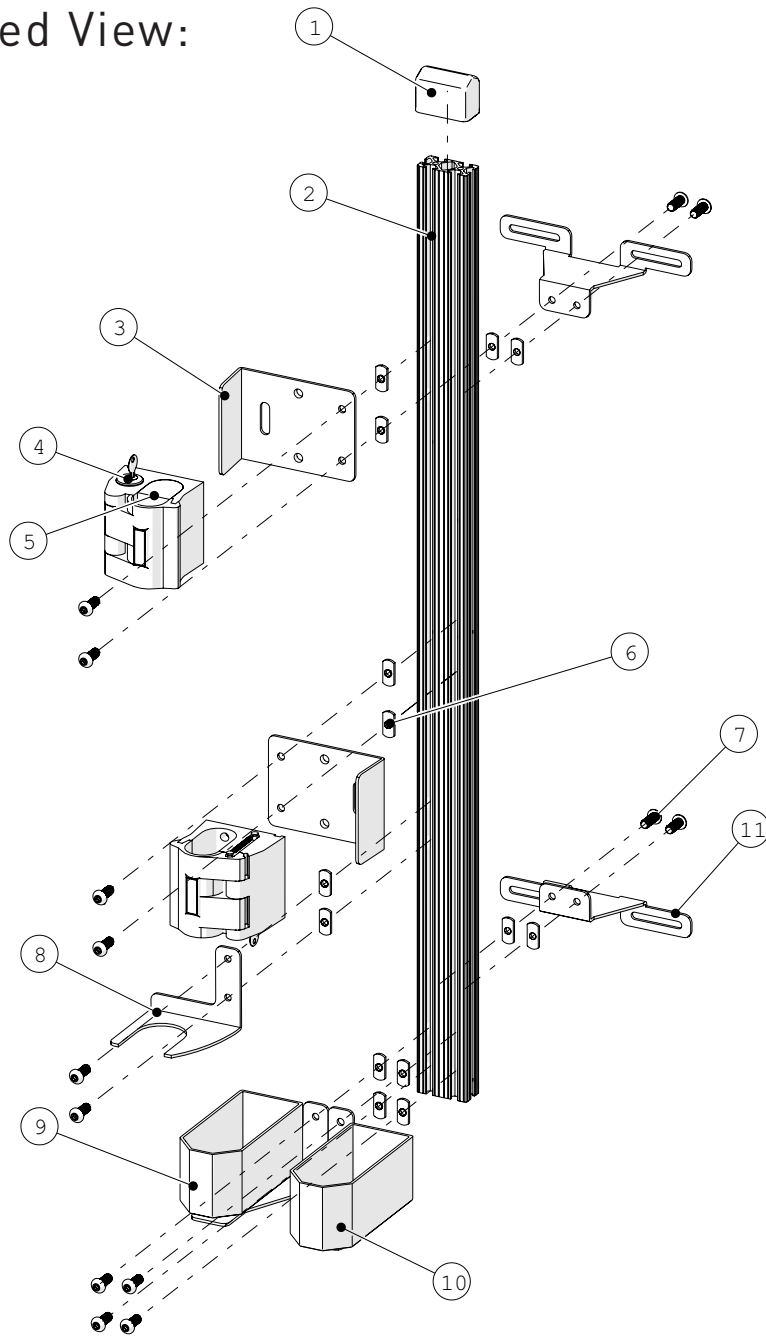
**WEISER  
SOLUTIONS**



**Dual Clasp Lock  
Universal Weapon Mount**

**WEI-002**

# Exploded View:



## Parts List:

Part No.	Description	Qty
1 WEI-3001-A	Rubber Cap for 6 channel backbone	1
2 WEI-3001	36" 6-Channel Backbone	1
3 WEI-1301	Clasp lock mounting plate	2
4 WEI-2402	Clasp lock/shotgun lock	2
5 WEI-2102	Clasp lock insert / barrel lock insert	1
6 WEI-3502	Standard Weld nuts	8
7 WEI-3500	Standard button head screws 1/4-20 3/8" length	8
8 WEI-1101	Charge plate or charge bracket	1
9 WEI-1404	Passenger side buttstock plate assembly	1
10 WEI-1404	Driver side buttstock plate assembly	1
11 WEI-1201	Back bracket/partition bracket	2

## Others:

WEI-3100	Snap-in channel cover to hide wires, 36" length, cut-to-length	1
WEI-2501	Momentary switch	1
WEI-1202	Side tabs/ L-brackets/ 90-degree brackets	4